

WTI Part Number: 12365
Rev. C

CAS-81

8-Port Code Activated Switch



User's Guide

wti western™
telematic inc.

5 Sterling • Irvine • California 92618
(949) 586-9950 • Toll Free: 1-800-854-7226
Fax: (949) 583-9514 • <http://www.wti.com>

Table of Contents

- 1. Introduction 1-1**
- 2. Unit Description 2-1**
 - 2.1. Front Panel Indicators 2-1
 - 2.2. Back Panel 2-2
- 3. Installation 3-1**
 - 3.1. Set DIP Switches 3-1
 - 3.1.1. Data Rate (Baud) Selection (Switches 1 through 3) 3-1
 - 3.1.2. Timeout Selection (Switches 4 and 5) 3-1
 - 3.1.3. Quiet Mode (Switch 6) 3-1
 - 3.1.4. Auto Connect Serial Port 1 (Switch 7) 3-2
 - 3.1.5. Broadcast Mode (Switch 8) 3-2
 - 3.1.6. Force CTS (Switch 9) 3-2
 - 3.1.7. Force DCD (Switch 10) 3-2
 - 3.2. Connect Power Cable 3-3
 - 3.3. Connect Devices to Serial Ports 3-3
 - 3.4. Connect Control Port. 3-3
 - 3.5. RS422 Line Driver Option 3-3
- 4. Operation 4-1**
 - 4.1. Power Up 4-1
 - 4.2. ASCII Characters. 4-1
 - 4.3. Command String 4-1
 - 4.4. Command Response 4-2
 - 4.5. Port Gating 4-2
 - 4.5.1. Open Port Gating 4-2
 - 4.5.2. Close Port Gating. 4-2

Appendices

- A. Description of System Interfaces Apx-1**
 - A.1. Control Port (DB25 Female) Apx-1
 - A.2. Serial Ports 1 through 8 (DB9 Male) Apx-2
 - A.2.1. RS422 Line Driver Option Apx-2
- B. Specifications Apx-3**
- C. FCC Notice. Apx-3**
- D. Customer Service Apx-4**

List of Figures

- 2.1. Front Panel Indicators 2-1
- 2.2. Back Panel 2-2
- A.1. Control Port / Serial Port Interface Apx-1
- A.2. RS422 Option Interface. Apx-2

1. Introduction

The CAS-81 Code Activated Switch brings the convenience of code-based RS232 switching to sites with multiple terminals, printers, and peripherals. The CAS-81 enables a single RS232 Control Port to switch between 8 devices via an ASCII code sequence.

Code based switching lets you control the CAS-81 from your PC or mainframe. When a modem is attached to the Control Port, the CAS-81 can also be managed from a remote location. Devices can be connected or disconnected by sending commands from a remote PC via modem.

The CAS-81 can operate at speeds up to 115,000 bps and passes data in "real-time" with no delays. Binary and graphics files can be safely passed due to the unique 8 character switch instruction, which considerably reduces the chances of false switching.

A broadcast mode makes it easy to mass-address a group of printers, display devices, or an array of laboratory instruments by directing the data on the Control Port to all Serial Ports simultaneously. The broadcast mode may be selected by code or permanently selected by the Select Switch.

An Auto-connect feature allows the Control Port to automatically connect to Serial Port 1 each time the unit is powered up, or after a timeout or disconnect. This provides a data path to a critical device in case of a power failure, or convenient connection to commonly used equipment.

Each Serial Port may be configured for a balanced RS422 long distance line driver by simply removing the socketed RS232 driver chip and plugging in an optional RS422 module. When the module is installed, an LED on the back panel indicates the port is RS422.

Applications

- Industrial Robotic and Numeric Control
- Remote Diagnostics
- Laboratory Equipment Polling
- Data Acquisition
- Network Management

Typographic Conventions

Throughout the manual, typefaces and characters have been used to denote the following:

- | | |
|----------------------------|--|
| ^ (e.g. ^X) | Indicates a key combination that is used to invoke a command.
For example, the text " ^X " (Control X) indicates that the [Ctrl] key and the [X] key should be pressed simultaneously. |
| COURIER FONT | Indicates characters typed on the keyboard.
For example, ^VS or ^C# . |

2. Unit Description

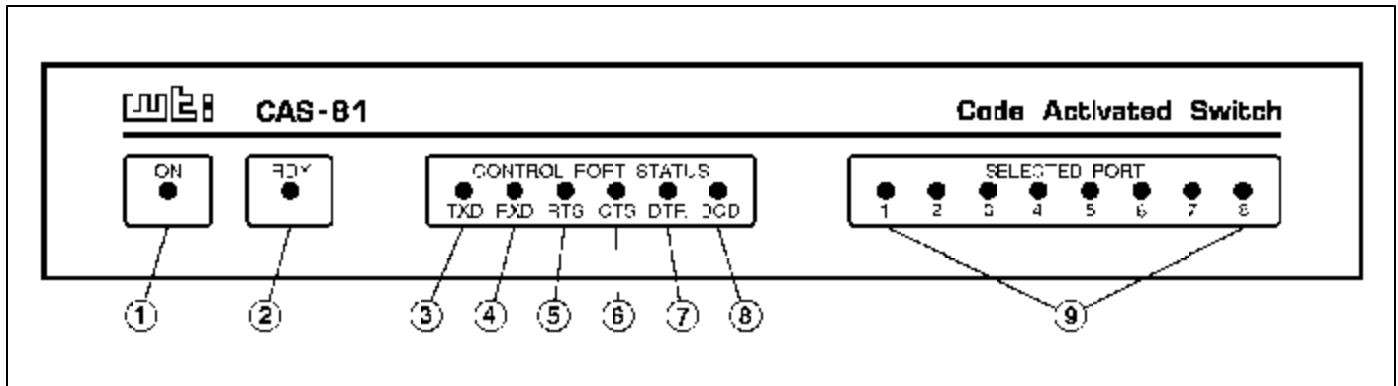


Figure 2.1: Front Panel Indicators

2.1. Front Panel Indicators

- ① **ON:** Indicates power to the unit is ON.
- ② **RDY:** Indicates unit is Ready to operate. A steady blink indicates that the CAS-81 is operating normally.
- ③ **TXD:** Indicates that data is being received at Control Port pin 2.
- ④ **RXD:** Indicates that data is being transmitted out Control Port pin 3. Also indicates that data is being received by pin 2 of a selected Serial Port.
- ⑤ **RTS:** Indicates that the "Request to Send" signal is present at Control Port pin 4.
- ⑥ **CTS:** Indicates that the "Clear to Send" signal is present at Control Port pin 5. Also indicates that the "Clear to Send" signal is present at pin 8 of a connected Serial Port. Always high when all ports are disconnected.
- ⑦ **DTR:** Indicates that the "Data Terminal Ready" signal is present at Control Port pin 20.
- ⑧ **DCD:** Indicates that the "Data Carrier Detect" signal is present at Control Port pin 8. Also indicates that the "Data Carrier Detect" signal is present at pin 1 of a connected Serial Port. Always high when all ports are disconnected.
- ⑨ **Serial Ports 1 - 8:** Indicates that the corresponding numbered Serial Port is currently connected.

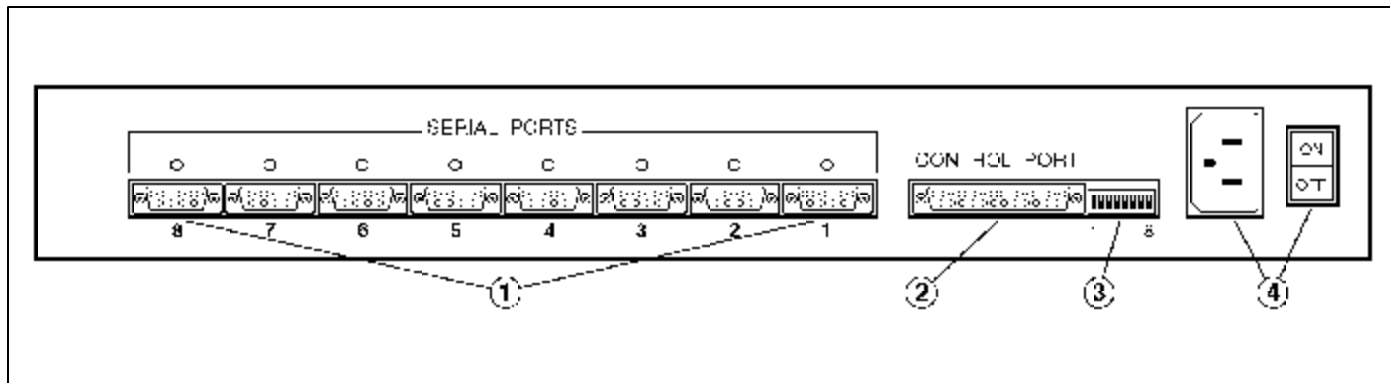


Figure 2.2: Back Panel

2.2. Back Panel

- ① **Serial Ports 1 - 8:** Eight RS232 DB9 male connectors configured as DTE. Accepts a standard AT 9 pin to printer or modem cable, depending on the application. Refer to Appendix A for more information on the Serial Port Interface.

Note that when the RS422 Line Driver Option has been installed, an LED indicator will be present in the blank above the Serial Port. This LED indicates that the port is configured for RS422 communication.

- ② **Control Port:** RS232 DB25 female connector configured for DCE. Accepts a standard PC to Modem Cable.

The CAS-81 will respond to proper ASCII code strings received by the Control Port. Once a port is selected, data will pass between the Control Port and the selected Serial Port. Refer to Appendix A for more information on the Control Port interface.

- ③ **Default Switch:** An 8 position DIP switch that is used to select the Control Port Data Rate, No-data timeout period, and the Auto connect and broadcast features. This switch is read upon power up.
- ④ **AC Power:** Standard AC power cord receptacle and ON/OFF switch.

3. Installation

3.1. Set DIP Switches

The DIP Switches located on the CAS-81 back panel are used to set the Data Rate, Timeout Selection, Quiet Mode, Broadcast Mode, and other features. Note that a label on the underside of the CAS-81 unit also describes DIP Switch settings.

3.1.1. Data Rate (Baud) Selection (Switches 1 through 3)

Select the Baud Rate for the Control Port. The Baud Rate must match that of the control device. The CAS-81 is transparent to parity and will operate at 7 bits even or odd parity, and at 8 bits no parity.

Switch			Baud Rate
1	2	3	
Down	Down	Down	1200
Up	Down	Down	2400
Down	Up	Down	4800
Up	Up	Down	9600
Down	Down	Up	19.2K
Up	Down	Up	38.4K
Down	Up	Up	57.6K
Up	Up	Up	115K

3.1.2. Timeout Selection (Switches 4 and 5)

Selects the No-Data-Activity disconnect period. If data has not been received by the Control Port for the specified time period, the selected Serial Port will close.

Switch		Timeout Selection
4	5	
Down	Down	Off
Up	Down	5 Seconds
Down	Up	30 Seconds
Up	Up	60 Seconds

3.1.3. Quiet Mode (Switch 6)

When enabled, the CAS-81 will not respond with "Connect/Disconnect" messages.

Switch 6	Quiet Mode
Up	Enable
Down	Disable

3.1.4. Auto Connect Serial Port 1 (Switch 7)

When enabled, automatically connects the Control Port to Serial Port 1 on the following conditions:

1. Power Up
2. After a Timeout disconnect, if selected.
3. After a Code sequence disconnect.

Switch 7	Auto Connect Serial Port 1
Up	Enable
Down	Disable

3.1.5. Broadcast Mode (Switch 8)

When enabled, permanently activates the Broadcast Mode. Data from the Control Port will be sent out all eight Serial Ports. Note that when the Broadcast Mode is active, all Serial Port Status LEDs will be lit.

Data received by the selected Serial Ports will be "ord" and passed out the Control Port. If data is received by two ports simultaneously, data output may be garbled.

A broadcast one/all jumper located on the circuit board will block received data from Serial Ports 2 - 8. This feature allows the Control Port to receive a response message from just one device when broadcasting commands. Receiving data from multiple devices simultaneously may cause garbled data.

Switch 8	Broadcast Mode
Up	Enable
Down	Disable

3.1.6. Force CTS (Switch 9)

When enabled, forces the Control Port CTS pin to high.

Switch 9	Force CTS High
Down	Enable
Up	Disable

3.1.7. Force DCD (Switch 10)

When enabled, forces the Control Port DCD pin to high.

Switch 10	Force DCD High
Down	Enable
Up	Disable

3.2. Connect Power Cable

Make certain that the CAS-81 power switch is set in the OFF position and then connect the power cable to the AC Power connector. Connect the other end of the power cable to a grounded AC wall outlet.

3.3. Connect Devices to Serial Ports

Serial Ports 1 - 8 are wired as standard AT 9 pin COM Ports. Connect data cables from the desired devices to Serial Ports 1 through 8. The Serial Ports accept AT 9 pin to printer or modem cables, depending on the application.

Caution:

Make certain that all data cables are compatible with the CAS-81 Serial Port interface. Please refer to Appendix A for a description of the Serial Port interface.

3.4. Connect Control Port

The Control Port is configured to appear as a 25 pin DCE modem and accepts a standard PC to Modem straight wired cable. Use a "Null Modem Cable" to connect a modem to the Control Port. For a description of the Control Port Interface, please refer to Appendix A.

3.5. RS422 Line Driver Option

Each Serial Port may be configured with an optional RS422 balanced line driver. These long distance line drivers can extend high speed transmission distance to 4,000 feet using 2 twisted pair wiring. Only the TXD and RXD signals are transmitted. The DCD and CTS signals are set to high.

To install the optional RS422 module, simply remove the RS232 Driver chip located on the circuit board adjacent to the desired Serial Port's connector and plug in the RS422 module. An LED viewed from the back panel will indicate that the port is RS422. Please refer to Appendix A for a description of the RS422 Serial Port interface.

4. Operation

4.1. Power Up

The ON LED indicates that AC Power has been turned on. The RDY LED indicates that the processor is operating and the unit is READY to operate. A flickering RDY LED indicates an AC Power brown out condition. The Control Port Status LEDs indicate the signal status of the Control Port. The Serial Port LEDs indicate the port(s) selected. When all Serial Port LEDs are lit, this indicates that CAS-81's Broadcast Mode is active.

Upon power-up, the unit is programmed according to the parameters selected by the setup DIP switches, which are located next to the Control Port. (Refer to switch setup section). If you change any of the DIP Switch settings while the unit is powered on, you must turn power off and on to reread the switch.

4.2. ASCII Characters

The PC or controlling device connected to the Control Port must send ASCII characters at the same data rate as the CAS-81. The unit accepts 8 bits / no parity, or 7 bits / even parity.

4.3. Command String

The command string consists of seven contiguous characters. The first 6 characters are ASCII Control codes, and the seventh is the configuration code.

^V^X^X^V^X^Xn (Command String)

Where:

- $n = 0$ Disconnects
- $n = 1 - 8$ Selects Serial Port Number 1 through 8
- $n = 9$ Enables Broadcast Mode (Select All Serial Ports)

Note that if "n" equals any character other than 0 through 9, the command will be terminated.

Examples:

To select port 3, send the following command:

^V^X^X^V^X^X3

To disconnect, send the following command:

^V^X^X^V^X^X0

4.4. Command Response

Upon receiving a valid command string, the CAS-81 will send an acknowledgment message out the Control Port. The message is sent as 8 bits / no parity. Acknowledgment messages are as follows:

Connected <CR>/<LF>
Disconnected <CR>/<LF>
Broadcast <CR>/<LF>

Note that the Command Response can be disabled by placing DIP Switch 6 in the UP position to enable the Quiet Mode feature. When the Quiet Mode is active, the unit will *not* send acknowledgment messages.

4.5. Port Gating

With all ports closed, data received by the Control Port will not be passed to any of the Serial Ports. Any data received by the Serial Ports will not be passed to the Control Port. The CTS and DCD signals will always be set high.

4.5.1. Open Port Gating

Upon receiving a valid command string at data rates up to 19,200 bps, the selected Serial Port will open during the stop bit time of the configuration code thus allowing the next character to be passed out the selected port.

For data rates above 19,200 bps it is necessary to delay approximately 1 millisecond before sending data out the selected Serial Port. This prevents a character that immediately follows the configuration character from being "cut in half".

4.5.2. Close Port Gating

Selected Serial Ports can be closed using three methods:

1. By using the Command String to select another Serial Port.
2. By Using the Command String to disconnect.
3. By using the No-Data-Activity timeout feature.

In methods 1 and 2, the Command String Control Codes will be passed out the selected Serial Port. The Serial Port(s) will close immediately after the sixth character, thus blocking the next character from being sent. If the configuration character was 1 - 8, then the selected Serial Port would open. If the configuration character was 0 then the ports would remain closed.

The No-Data-Activity timeout feature can be used to make a "clean" close if the Command String Control Codes cause a conflict with the connected devices. The Serial Port will automatically close if no data is received from the Control Port for the time period selected by the setup switch.

A. Description of System Interfaces

A.1. Control Port (DB25 Female)

The Control Port is a 25 pin female connector wired in a DCE (modem) configuration.

Pin	Signal	I/O	Not Connected	Connected
2	RXD	Input	-	To Serial Port Pin 3
3	TXD	Output	Low	Follows Serial Port
4	RTS	Input	-	To Serial Port Pin 7
5	CTS	Output	High	* Follows Serial Port
6	DSR	Output	High	Always High
7	GND	Signal Ground		
8	DCD	Output	Low	* Follows Serial Port
20	DTR	Input	-	To Serial Port Pin 4

* May be forced high by DIP Switches 9 and 10. Always high when all Serial Ports are connected.

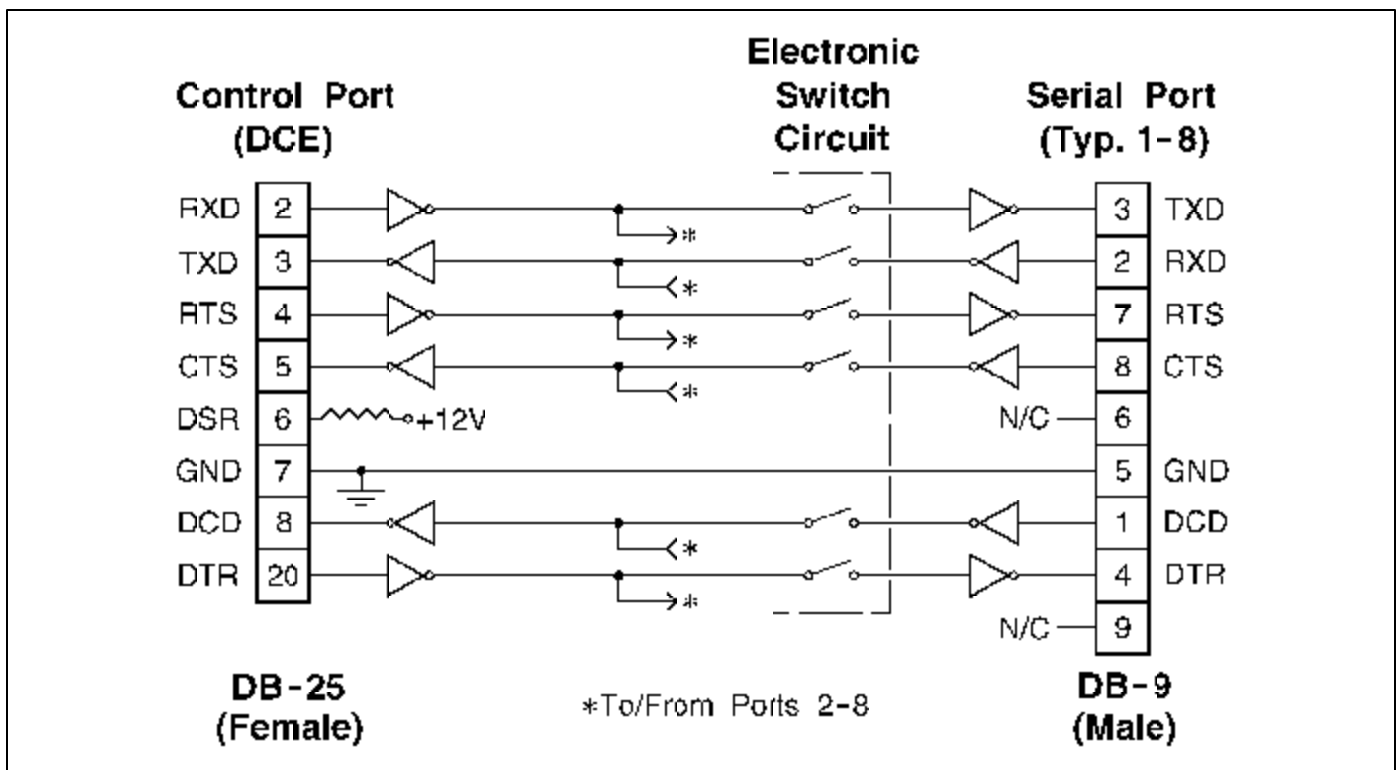


Figure A.1: Control Port / Serial Port Interface

A.2. Serial Ports 1 through 8 (DB9 Male)

The Serial Ports are 9 pin male, wired in a DTE configuration similar to that of an A computer. Figure A.1 and the table below describe the Serial Port interface.

Pin	Signal	I/O	Not Connected	Connected
1	DCD	Input	-	To Control Port Pin 8
2	RXD	Input	-	To Control Port Pin 3
3	TXD	Output	Low	Follows Control Port Pin 2
4	DTR	Output	Low	Follows Control Port Pin 20
5	GND	Signal Ground		
6		Open		
7	RTS	Output	Low	Follows Control Port Pin 4
8	CTS	Input	-	To Control Port Pin 5
9		Open		

A.2.1. RS422 Line Driver Option

Each Serial Port may be configured with an RS422 balanced line driver. These long distance line drivers can extend high speed transmission distance to 4,000 feet using 2 twisted pair wiring. Only the TXD and RXD signals are transmitted. The DCD and CTS signals are set to high. Figure A.2 below describes the RS422 Serial Port interface.

Note: Handshake signals are not passed. All other pins are open.

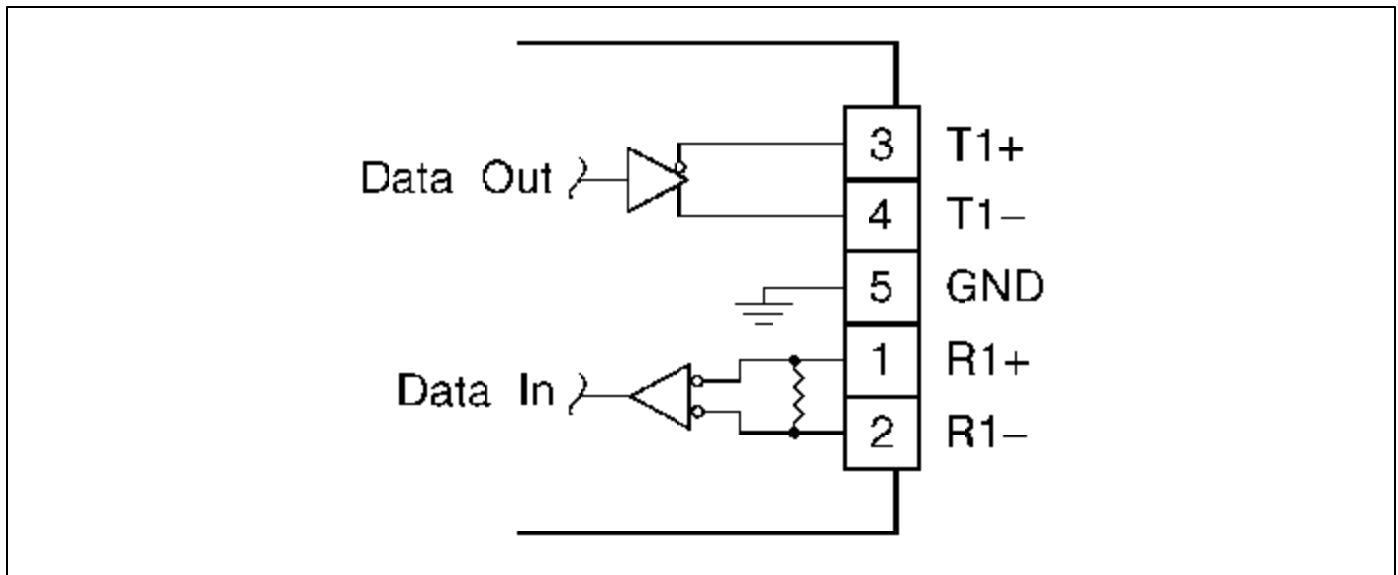


Figure A.2: RS422 Option Interface

B. Specifications

Interface:

Control Port: (1) RS232, 25 pin female, DCE configuration.

Serial Ports: (8) RS232, 9 pin male, DTE configuration.

Optional - RS422 Line Driver (TXD and RXD only)

Signals Gated: TXD, RXD, RTS, CTS, DTR, DCD

Protocol: Asynchronous ASCII, 7/8 bits, Any Parity, One Stop Bit.

Data Rate: 1200 bps to 115K bps, switch selectable

Timeout: Off, 5, 30, and 60 seconds, switch selectable

Command Sequence: Seven contiguous characters:

$$\text{^V^X^X^V^X^Xn}$$

Where:

n = 0 Disconnects

n = 1 - 8 Selects Serial Port Number

n = 9 Enters Broadcast Mode (All Serial Ports Selected)

Command Response:

Connected <CR>/<LF>

Disconnected <CR>/<LF>

Broadcast <CR>/<LF>

Power: Internal Supply - 115/230 VAC, 60/50 Hz, 10 Watts

Size: 1.75" x 17.00" x 6.5" (H x W x D) - One Rack Space

Weight: 3 pounds (5 pounds shipping)

C. FCC Notice

This equipment has been tested and found to comply with the limits for a Class A digital device, pursuant to Part 15 of the FCC Rules. These limits are designed to provide reasonable protection against harmful interference when the equipment is operated in a commercial environment. This equipment generates, uses, and can radiate radio frequency energy and, if not installed and used in accordance with the instruction manual, may cause harmful interference to radio communications. Operation of this equipment in a residential area is likely to cause harmful interference in which case the user will be required to correct the interference at his own expense.

D. Customer Service

Customer Service hours are 8:00 AM to 5:00 PM, Pacific Time, Monday through Friday. When calling, please be prepared to give the name and make of the unit, its serial number, and a description of its symptoms. If the unit should need to be returned for factory repair it must be accompanied by a Return Authorization number from Customer Service.

WTI Customer Service
5 Sterling
Irvine, California 92618

949-586-9950
Toll Free: 1-800-854-7226
Fax: 949-457-8138
e-mail: service@wti.com

Trademark and Copyright Information

WTI and Western Telematic are trademarks of Western Telematic Incorporated. All other product names mentioned in this publication are trademarks or registered trademarks of their respective companies.

Information and descriptions contained herein are the property of Western Telematic, Inc.. Such information and descriptions may not be copied, disseminated or distributed without the express written consent of Western Telematic, Inc..

© Copyright Western Telematic Inc., 1997, 2000
All rights reserved.

June 2000
September 1997
Part Number: 12365 Revision: C